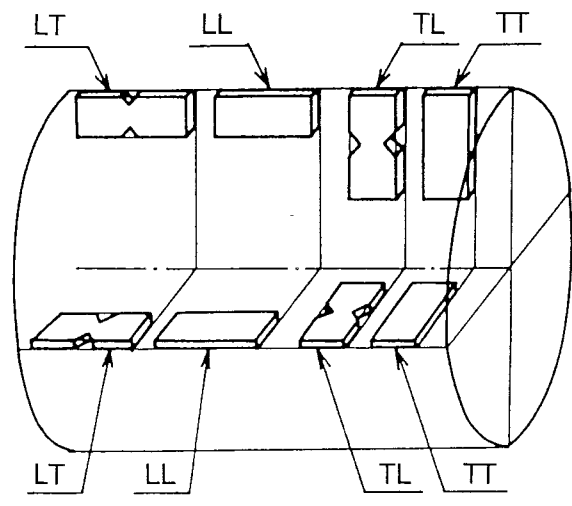


Table 1 List of direction codes

(a) Plate specimens cut from round rod

Axial loading,  
In-plane bending and  
Out-of-plane bending  
of  
Plate specimens



(b) Round bar specimens

Axial loading,  
Plane bending,  
Rotating bending and  
Torsion  
of  
Round bar specimens

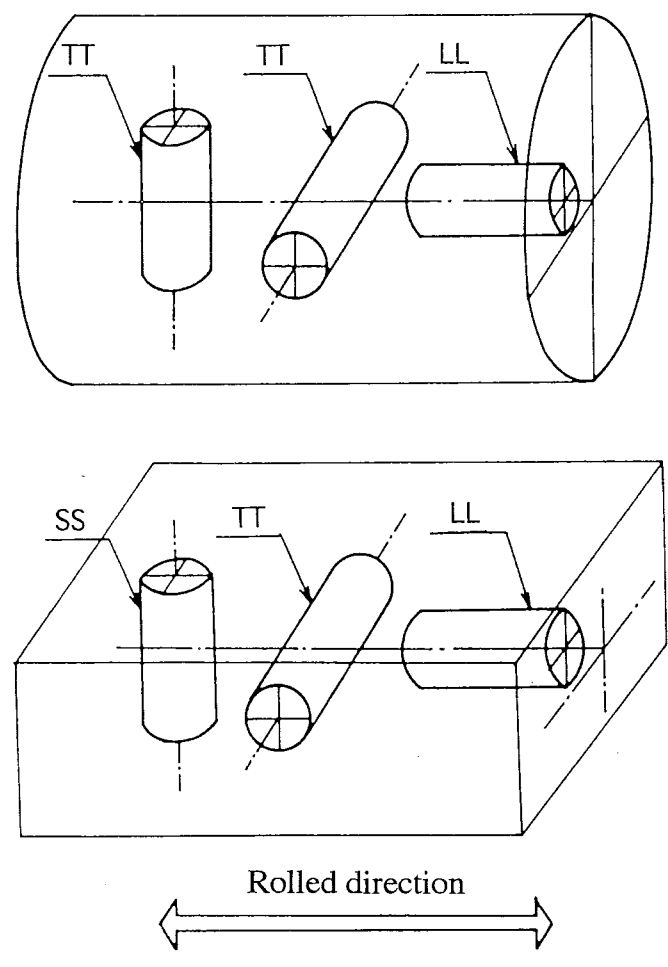
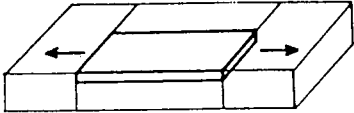
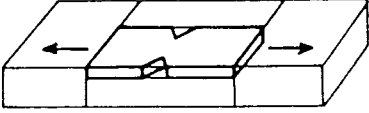
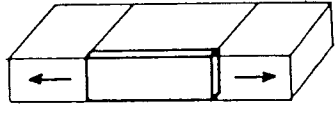
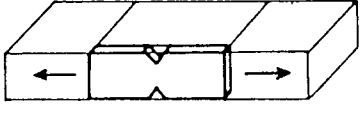
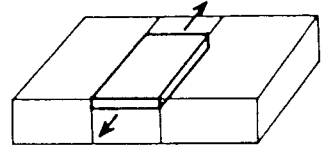
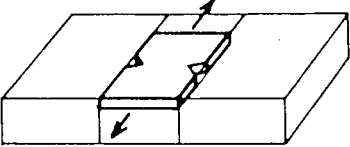
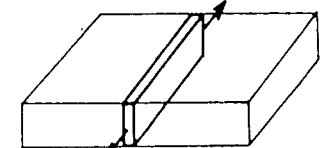
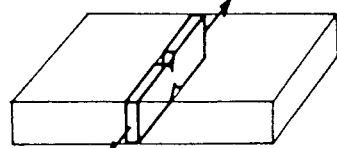
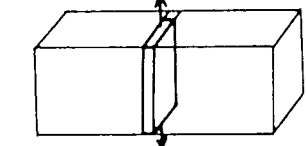
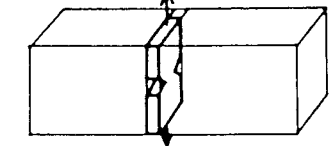
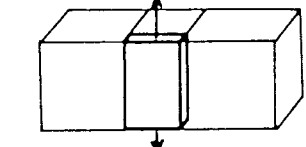
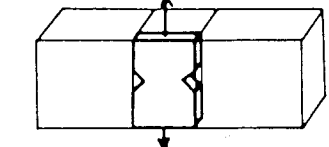


Table 2 List of direction codes for plate specimens under axial loading

	Smooth specimen		Notched specimen
LL		LT	
LL		LS	
TT		TL	
TT		TS	
SS		ST	
SS		SL	

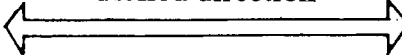
Rolled direction  


Table 3 List of direction codes for out-of-plane bending of plate of plate

	Smooth specimen	Notched specimen
LS		
LT		
TS		
TL		
SL		
ST		

Rolled direction

Table 4 List of direction codes for in-plane bending of plate

	Smooth specimen	Notched specimen
LT		
LS		
TL		
TS		
ST		
SL		

Rolled direction

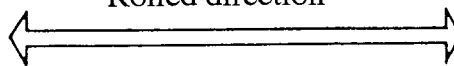
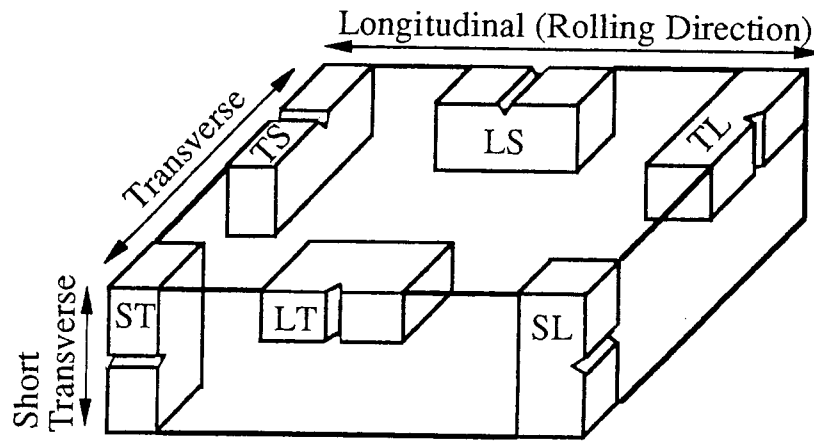
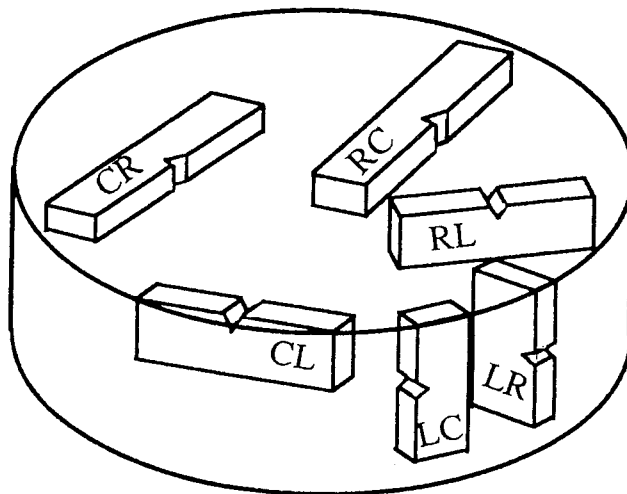


Table 5 List of direction codes for impact tests



(a)



(b)